

KMC-9 (BASE MICROPHONE)

EXTERNAL VIEW



CHASSIS REMOVAL

1. Remove the four rubber feet (1).
2. Remove the four screws (2).
3. Remove the chassis (3).
4. Disconnect the 3-pin connector from the microphone amplification unit (4).

DISASSEMBLY FOR REPAIR

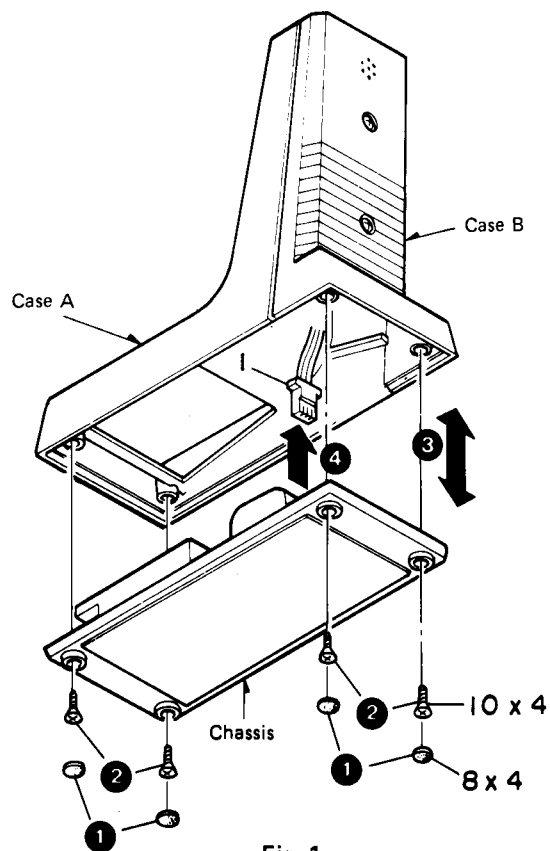


Fig. 1

REMOVAL OF MICROPHONE ELEMENT AND MICROPHONE AMPLIFICATION UNIT

5. Remove the two screws holding cases A and B (5).
6. Remove case B (6).
7. Remove the microphone element and microphone amplification unit (7).

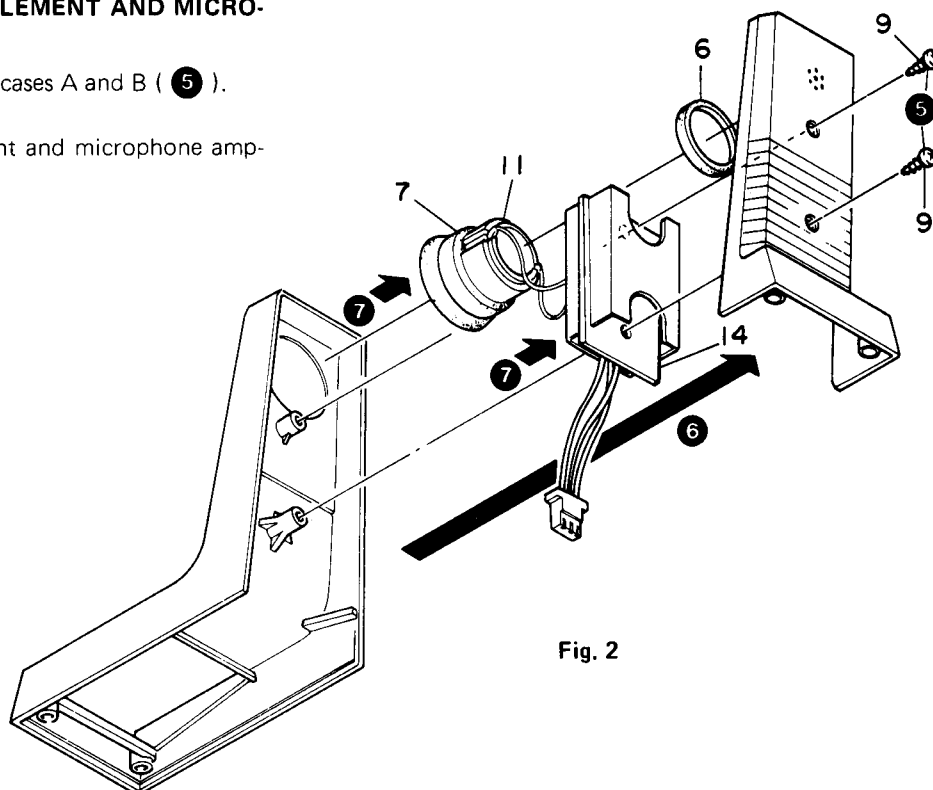


Fig. 2

KMC-9 (BASE MICROPHONE)

SWITCH UNIT REMOVAL

8. Disconnect the 6-pin connector (8).
9. Remove the springs (L and R) (9).
10. Pull out the shaft (10).
11. Remove spring A and slider (11).
12. Remove the switch unit while pressing the two claws holding the switch unit in the direction of the arrow (12).

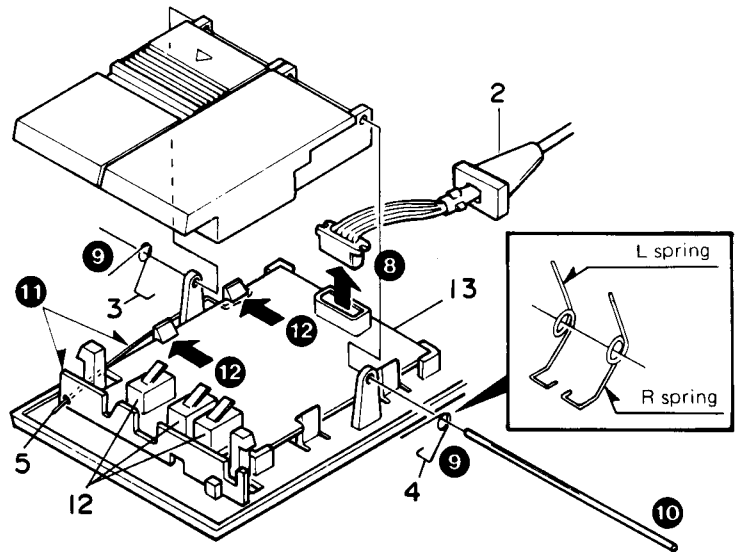


Fig. 3

REMOVING MICROPHONE PLUG

To remove the microphone plug (module) from the Main unit or from the microphone, grasp the rubber cap from up and down with your fingers (to unlock it) and pull it out.

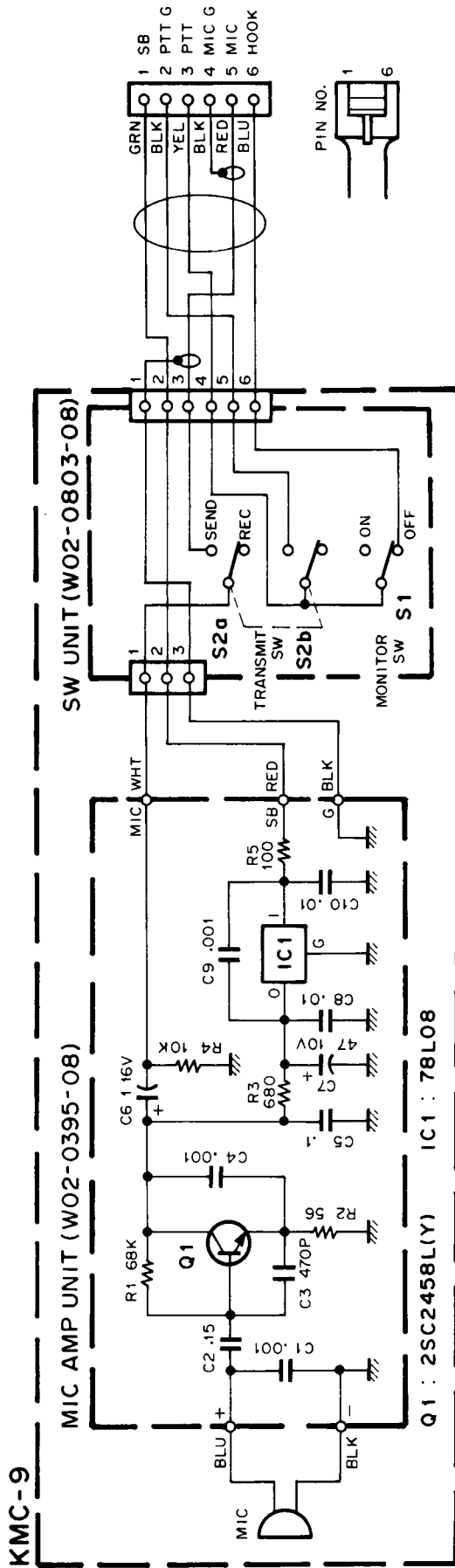
PARTS LIST

*New parts

Ref. No.	New parts	Parts No.	Description
1		E23-0612-08	CRIMP TERMINAL
2		E30-2080-08	CURL CORD
3		G09-0423-08	L SPRING
4		G09-0424-08	R SPRING
5		G09-0425-08	SPRING A
6		G13-0877-08	CUSHION
7		G13-0878-08	CUSHION D.
8		J02-0448-08	RUBBER FOOT
9		N44-3018-45	TAPPING SCREW
10		N47-3010-46	TAPPING SCREW
11		T91-0368-08	MIC UNIT
12		S50-1430-08	MICRO SWITCH
13		W02-0803-08	SW UNIT
14		W02-0395-08	MIC AMP UNIT

KMC-9 (BASE MICROPHONE)

CIRCUIT DIAGRAM



SPECIFICATIONS

SPECIFICATIONS	MODEL
Type	KMC-9
Output impedance	Uni-directional Dynamic Microphone (Pre-amplifier built-in)
Sensitivity	600Ω±30% (at 1kHz)
Frequency Characteristic	-50dB±3dB (at 1kHz, 0dB=1V/μbar)
Power Requirements	300~3000Hz (±6dB)
Dimensions (W x H x D)	13.8V DC (supplied from the radio)
Weight	70 x 162 x 150mm (2-3/4 x 6-3/8 x 5-29/32 inch)
	550g (1.2 lbs)